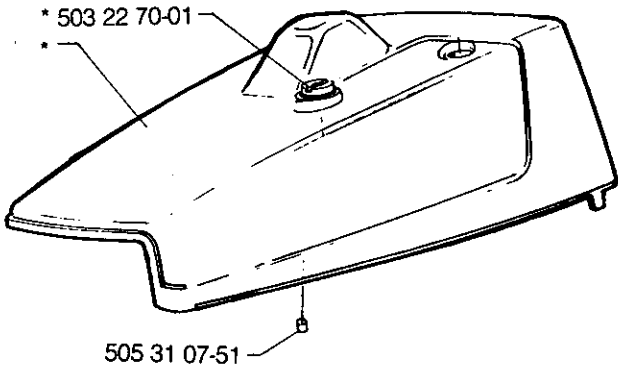
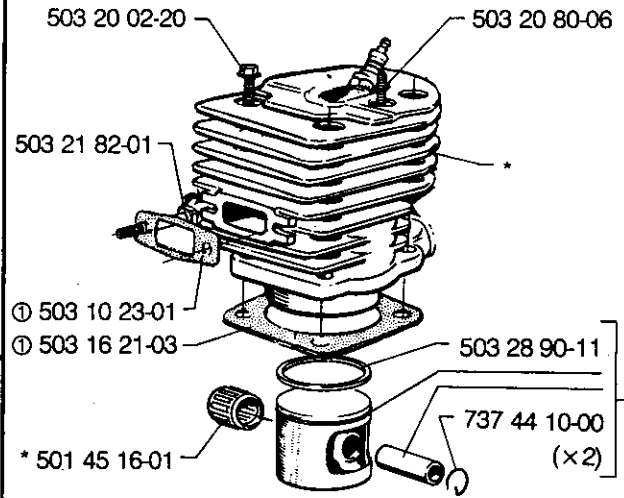


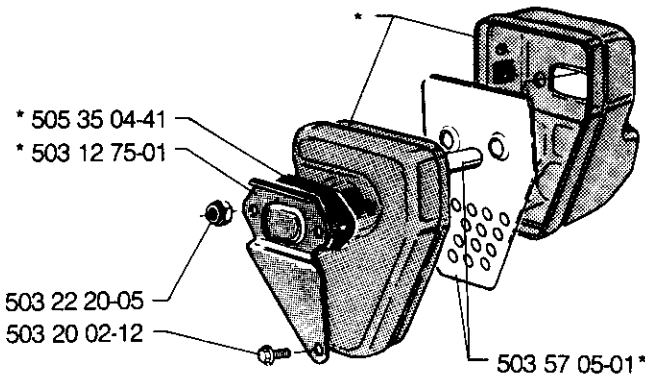
C *compl 503 12 60-01



D *compl 503 16 89-01 (Ø 45 mm)

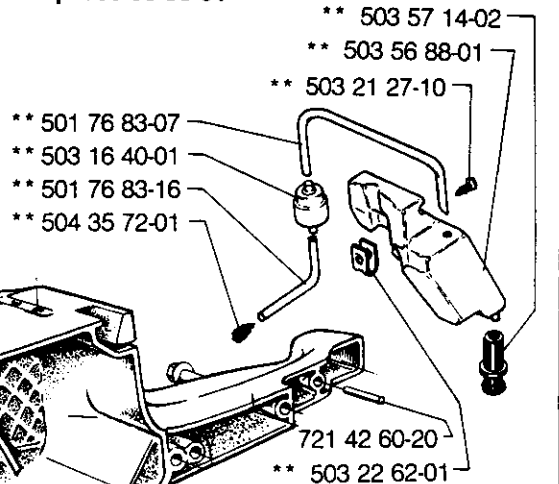


E *compl 505 35 04-35

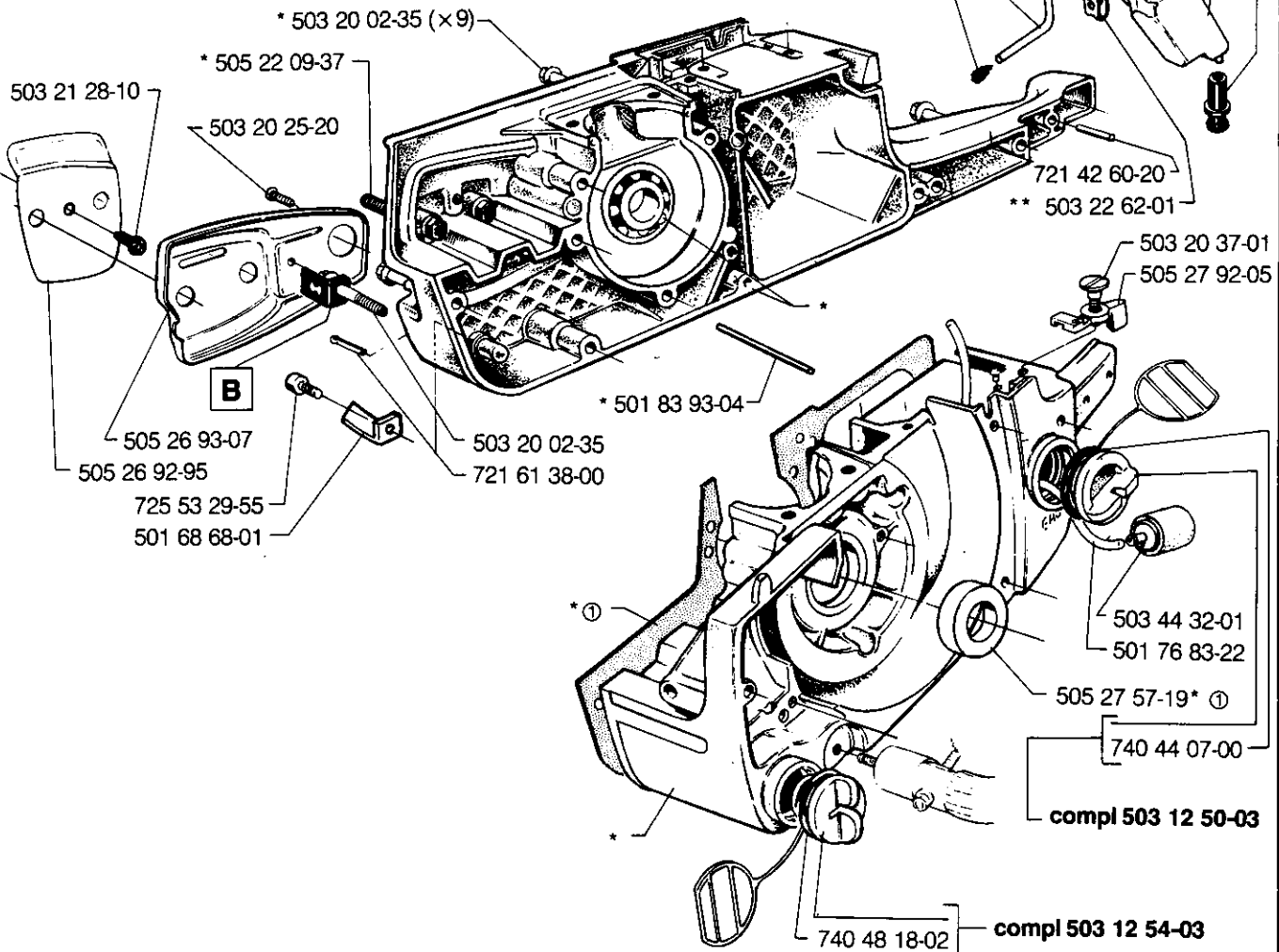


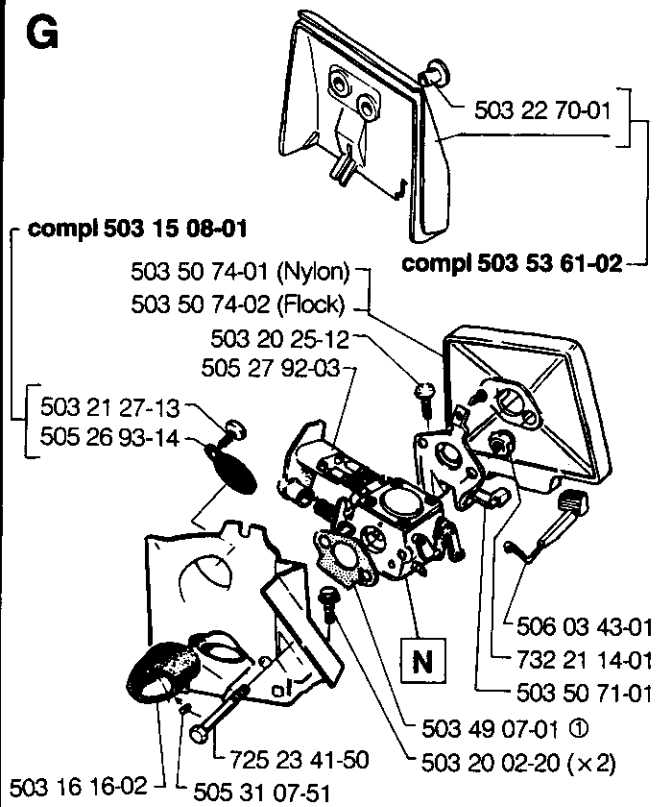
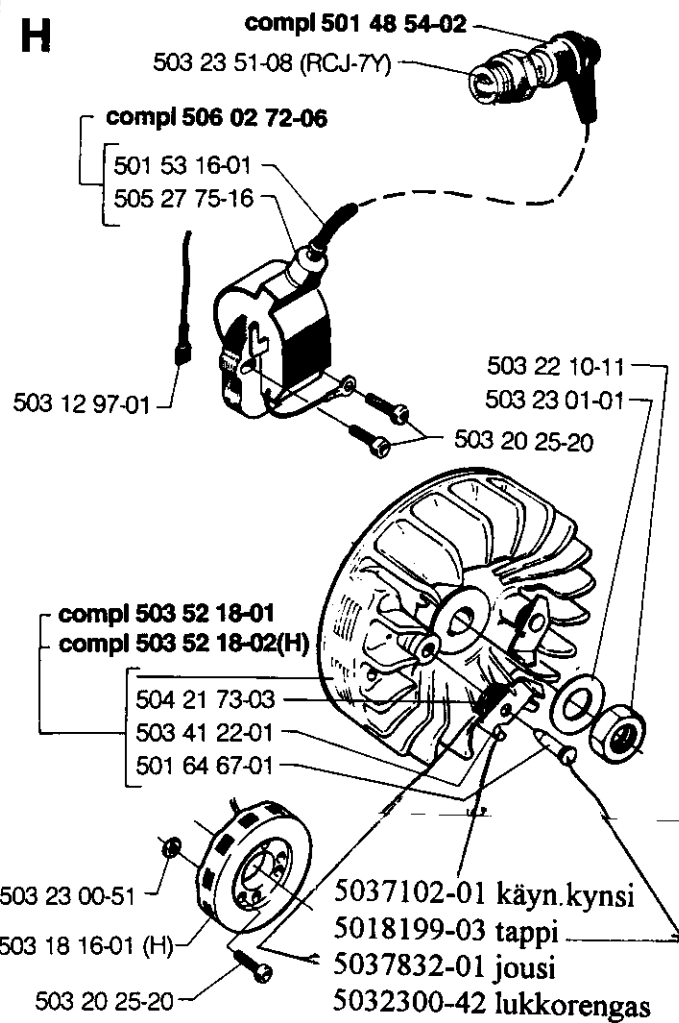
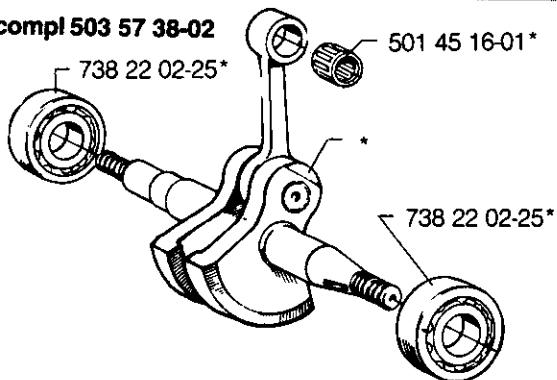
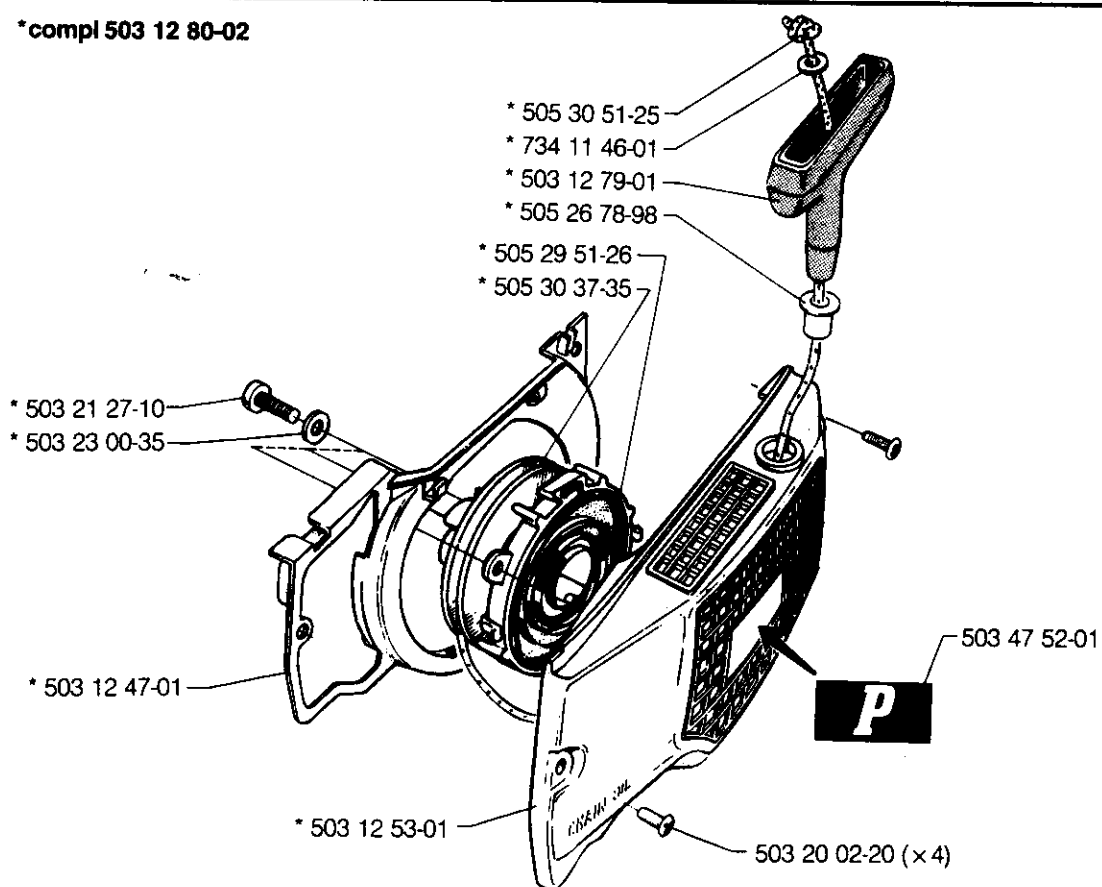
*compl 503 16 87-01 (Ø 45 mm)

**compl 503 59 36-01

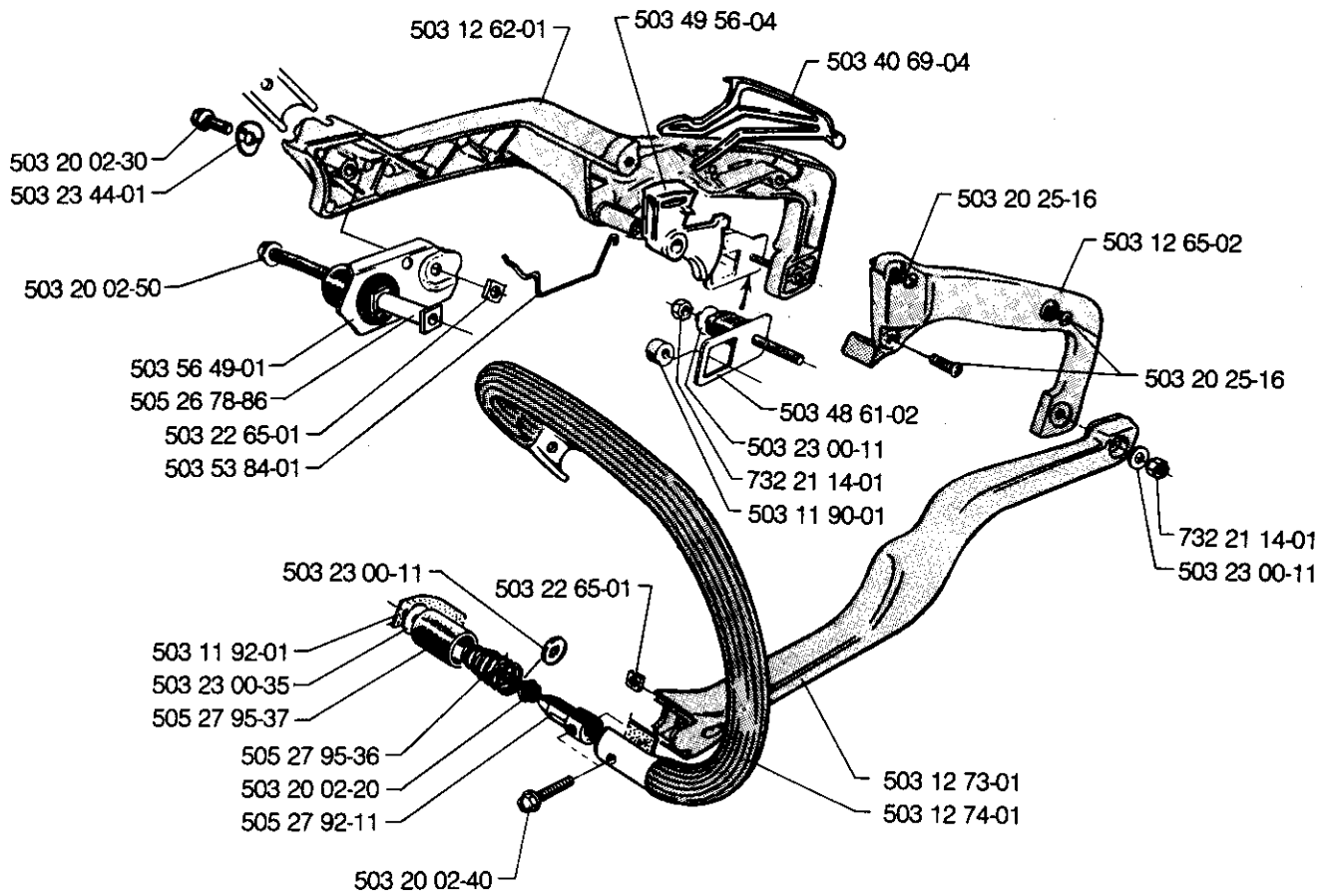


F *compl 503 12 31-05

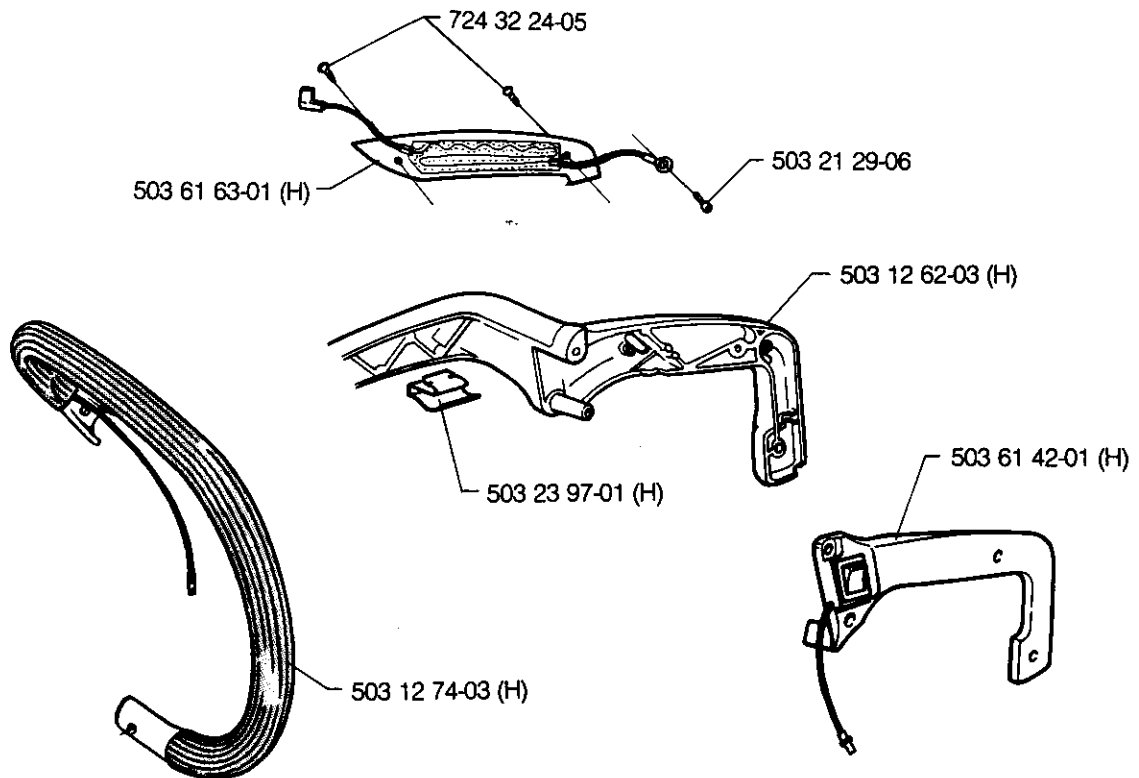


G**H****J*****compl 503 57 38-02****K*****compl 503 12 80-02**

L



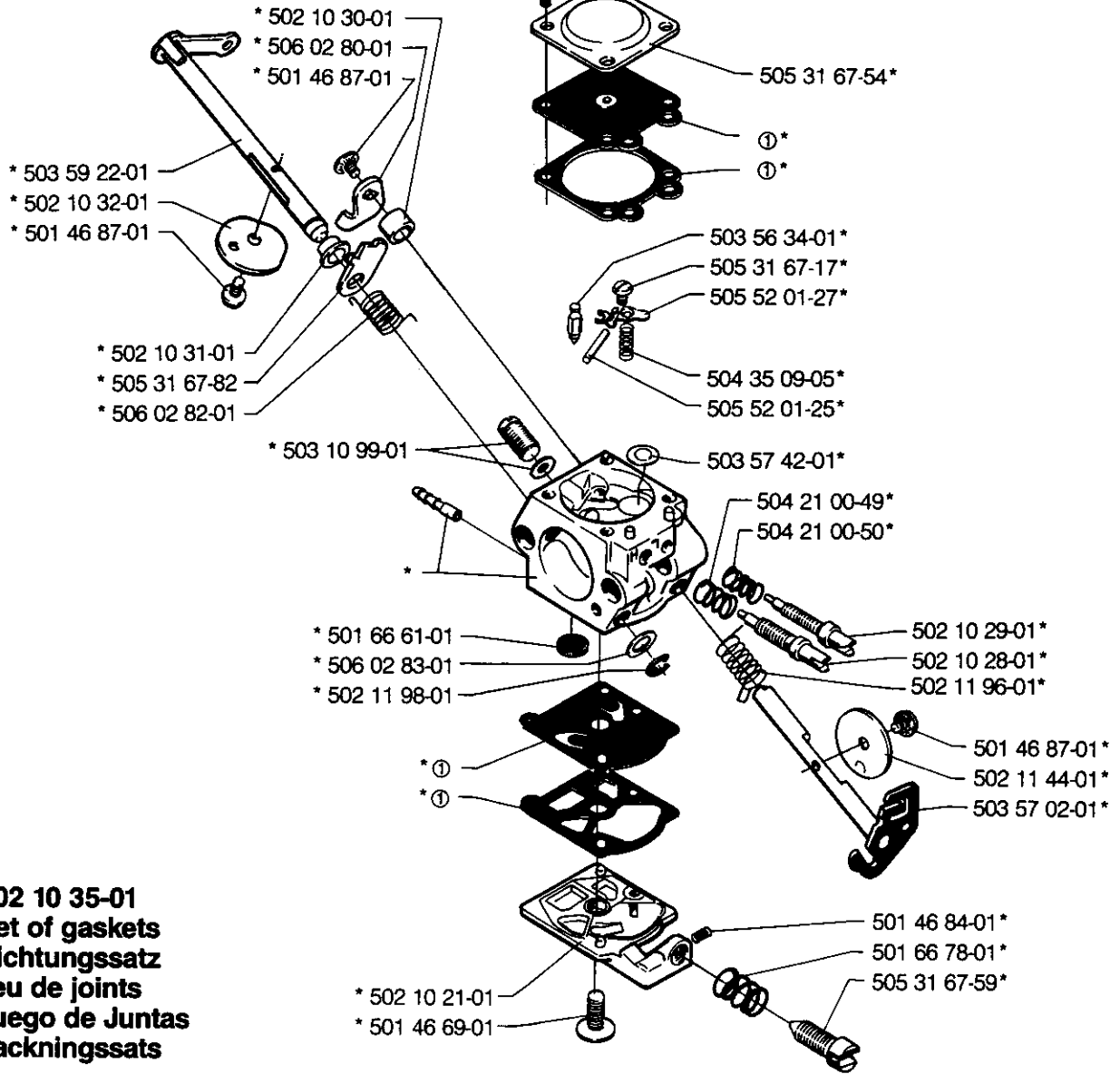
M



N

*compl 503 28 15-04

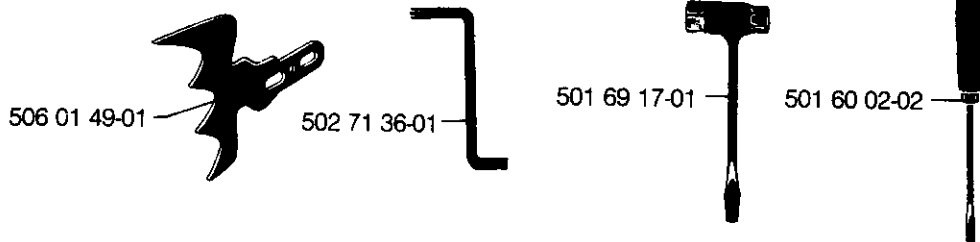
Walbro WT 170



① 502 10 35-01
Set of gaskets
Dichtungssatz
Jeu de joints
Juego de Juntas
Packningssats

P

Accessories
Zubehöre
Accessoires
Accesorios
Tillbehör



*compl 503 15 44-02

Vintersats
Winter equipment
Winterausrüstung
Equipment d'hiver

